

PORTABLE INSTALLATION GUIDE

531571-1_C

Thank you for purchasing a fishfinder from Humminbird®, America's #1 manufacturer of quality consumer marine electronics.

BEFORE YOU BEGIN

The Portable Fishing System is available in two different configurations:

- the **Portable Control Head**, which includes a control head with portable case and power cable, a transducer jumper cable, a transducer and a portable mounting bracket, battery, battery charger, and connecting hardware.

- a **Portable Conversion Kit**, which will allow you to convert a fishfinder you may already own into a portable unit. This includes a portable case for the control head, a power cable, a transducer jumper cable, a portable mounting bracket, a battery, battery charger, and connecting hardware.

NOTE: Some international models may not include a battery or battery charger.

There may be some minor differences between the hardware described in this manual and the actual hardware included, depending on the configuration you purchased.



© 2008 Humminbird®, Eufaula AL, USA. All rights reserved.

PORTABLE CONVERSION KIT

If you have a Portable Conversion Kit, you must first un-install the control head and the transducer from their respective fixed mounting positions on your boat before performing the regular portable installation instructions described in this manual. Once you have converted the control head and the transducer to portable configurations, you will be ready to mount the portable case.

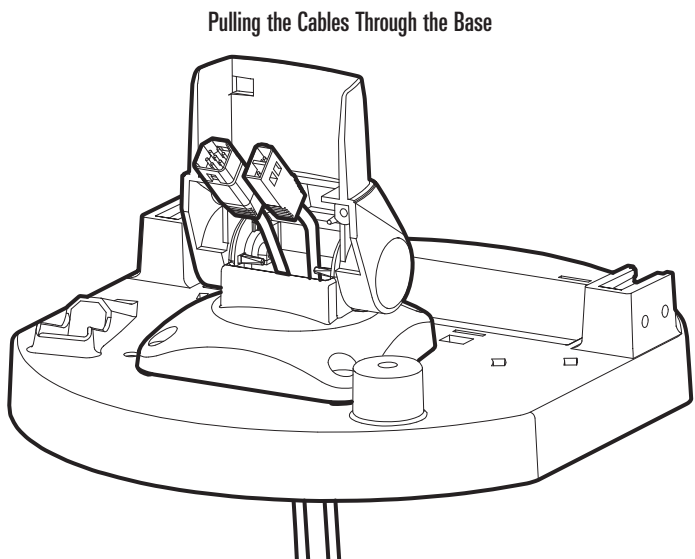
1. Converting the Control Head to Portable

1. Unplug the control head from the quick disconnect mount on your boat.
2. Go to **Portable Case Assembly** and follow the instructions through **Section 5. Charging and Installing the Battery**, then come back to **Converting the Transducer to Portable**.

2. Converting the Transducer to Portable

1. Make sure that the control head is detached from the quick disconnect mount.
2. Pull the transducer cable out of the quick disconnect mount.
3. Unscrew the transducer from the fixed mounting bracket on your boat, saving the original screws for any future fixed mounting configuration (new portable mounting screws are provided in the Portable Conversion Kit).
4. Go to **Assembling the Transducer Mounting Bracket** and follow the rest of the procedures.

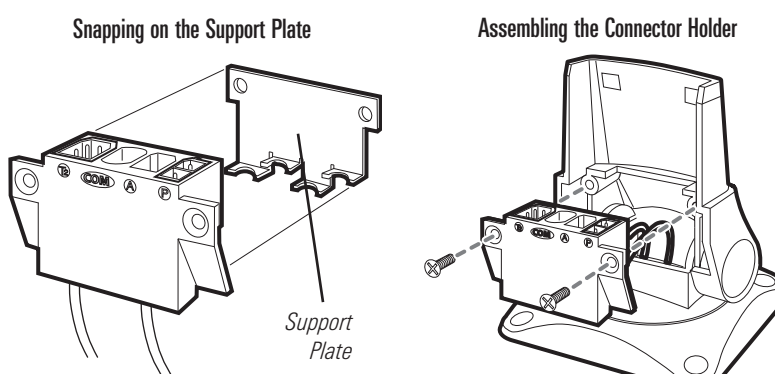
5. Route the power cable, and then the transducer jumper cable, from under the base and up through the quick disconnect mount (see the illustration **Pulling the Cables Through the Base**).



6. Insert both the power and the transducer jumper cable plugs into the connector holder. The cable plugs are labeled, and there are corresponding labels on the connector holder. The slots for the plugs are keyed to prevent reverse installation, and insertion should be easy - do not force plugs.

7. Carefully pull the excess cable from beneath the mounting surface so that the connector holder aligns with the mounting holes on the front of the mounting bracket.

8. Snap the support plate onto the rear of the connector holder (see the illustration **Snapping on the Support Plate**).



9. Insert the connector holder into place and fasten it to the mounting bracket using the two #6-32 x 3/4" screws (see the illustration **Assembling the Connector Holder**). **Hand-tighten only.**

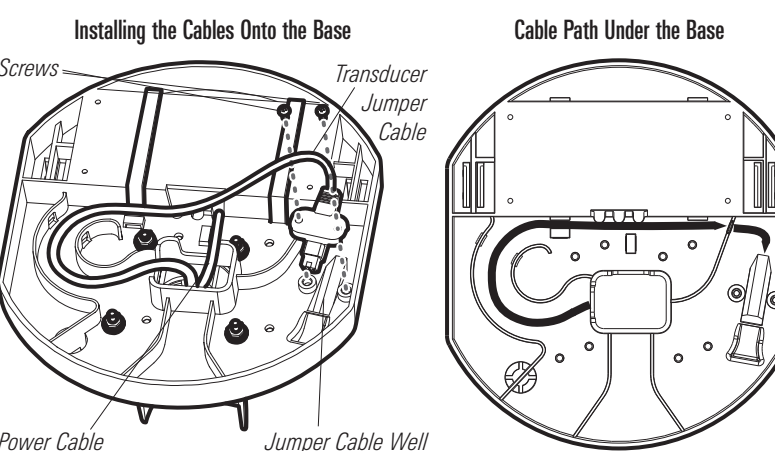
2. Routing the Cables in the Base

In this procedure, you will route the power and transducer jumper cables on the underside of the base, and attach the tie-down straps that will be used to secure the battery to the base in a later procedure.

1. Turn the base upside down, then thread the two included hook and loop battery tie-down straps from the bottom of the base up through each side of the battery well, using the strap holes (see the illustration **Attaching the Battery Tie-Down Straps**).

2. Pull the power cable through the opening in the long side of the cable well and insert it into the battery well (see the illustration **Installing the Cables Onto the Base**).

3. Route the transducer jumper cable (see the illustration **Installing the Cables Onto the Base**) out the short side of the cable well and follow the arrows on the base (see the illustration **Cable Path Under the Base**).



PORTABLE CASE ASSEMBLY

You should perform the portable case assembly tasks in order, referring to the step-by-step procedures that represent the following main assembly tasks:

- Assembling the quick disconnect mount
- Routing the cables in the base
- Assembling the portable case
- Attaching the control head to the portable case
- Charging and installing the battery
- Assembling the transducer mounting bracket
- Stowing the portable transducer and battery charger into the portable case.

When you are done, the control head and the transducer will be part of the portable case assembly, and you will be ready to take your portable case to the boat for final setup.

NOTE: If you are converting a fixed mounting to portable using the Portable Conversion Kit, first go to the **Portable Conversion Kit** section.

1. Assembling the Quick Disconnect Mount

In this procedure, you will install the quick disconnect mount to the base of the portable case, and then install the cable collector onto the quick disconnect mount.

1. Determine which set of quick disconnect mounting holes to use by referring to the following table.

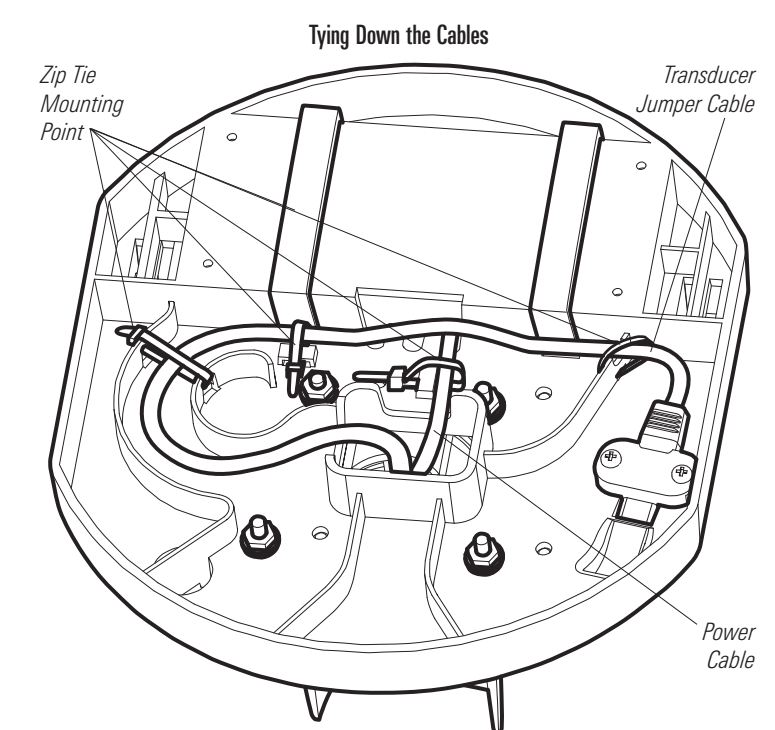
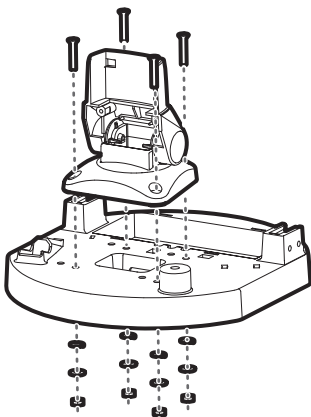
300 Series™	Hole Set A
500 Series™	Hole Set B
Matrix™	Hole Set B
700 Series™	Hole Set B
PiranhaMAX™ Series	Hole Set C

2. Turn over the base, and use a screwdriver or an awl, plus a hammer to punch out the selected mounting holes as shown in the illustration **Punching Holes**.

3. Line up the quick disconnect mount on the portable base, using the holes you punched out in step 2 on the base. Make sure the quick disconnect mount is fully raised (ratcheted open), with the Humminbird® logo facing towards the battery well on the base.

4. Using a socket wrench and a Phillips screwdriver, secure the quick disconnect mount to the base with the four included 1" screws, lock washers, and nuts (see the illustration **Attaching the Quick Disconnect Mount to the Base**). **Hand tighten only!**

Attaching the Quick Disconnect Mount to the Base

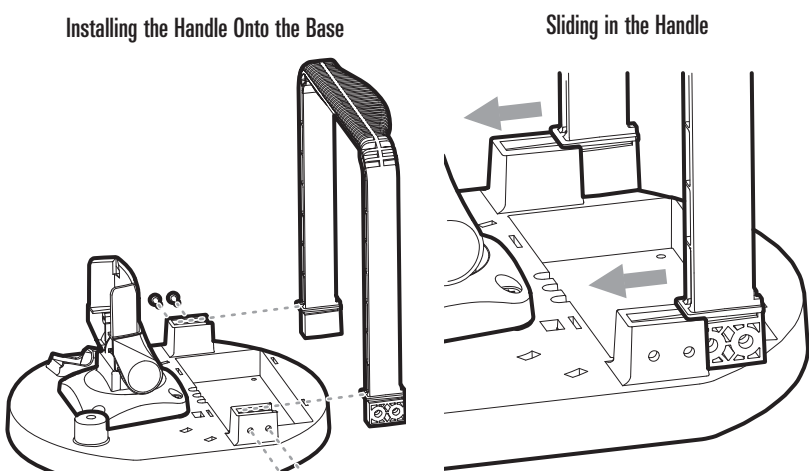


NOTE: You will need to perform more assembly procedures, as well as charge the battery for 8 hours, before you install the battery into the portable case. See **5. Charging and Installing the Battery** for more information.

3. Assembling the Portable Case

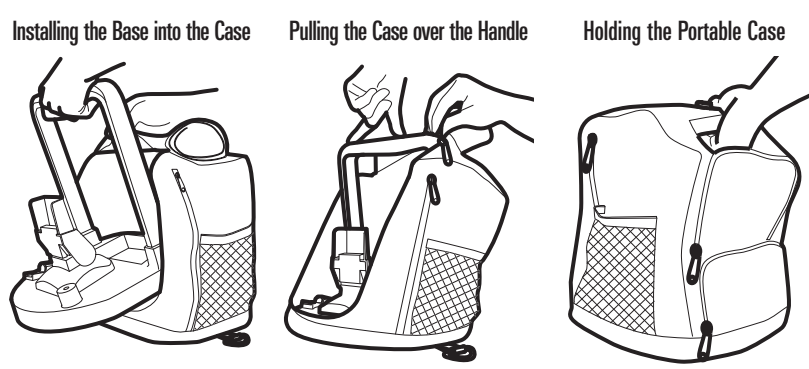
In this procedure, you will install the handle onto the base, and install the base into the portable case.

1. Install the handle onto the base, so that the curved part of the handle faces towards the back of the base, towards the battery well. Use the four included #8-32 x 7/16" screws, two on each side, to attach the handle to the base (see the illustrations **Installing the Handle Onto the Base** and **Sliding in the Handle**). **Hand tighten only!**



NOTE: The handle is keyed so that it only fits onto the base in one way.

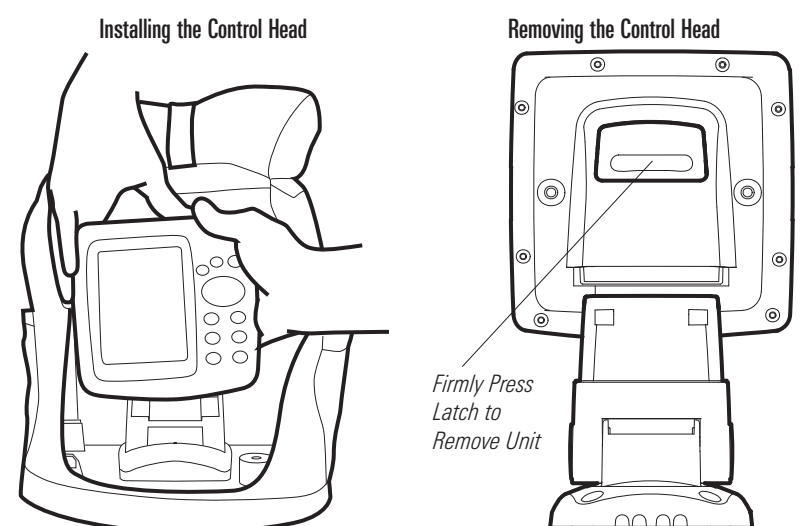
2. Install the base and handle assembly into the portable case by unzipping the largest opening in the portable case (on the front) and inserting the base into the portable case, so that the Quick Disconnect Mount is towards the front of the portable case. Pull the bag over one shoulder of the handle at a time for best results. Make sure that you can grab the handle through the fabric handhold inset from the outside top of the portable case (see the illustrations **Installing the Base into the Case**, **Pulling the Case over the Handle**, and **Holding the Portable Case**).



4. Attaching the Control Head to the Portable Case

In this procedure, you will install the control head into the portable case, using the quick disconnect mount.

1. Make sure the front (large) opening in the front of the portable case is unzipped; you may want to roll up the flap and secure it with the provided strap and clip while you're working.
2. Slide the control head onto the quick disconnect mounting bracket until it is fully seated (see the illustration **Installing the Control Head**).



NOTE: To remove the control head, grasp it with both hands, then firmly press the latch on the rear of the control head and lift. The latch on the Quick Disconnect Mount is heavy-duty to withstand marine use, and significant force must be applied (see the illustration **Removing the Control Head**).

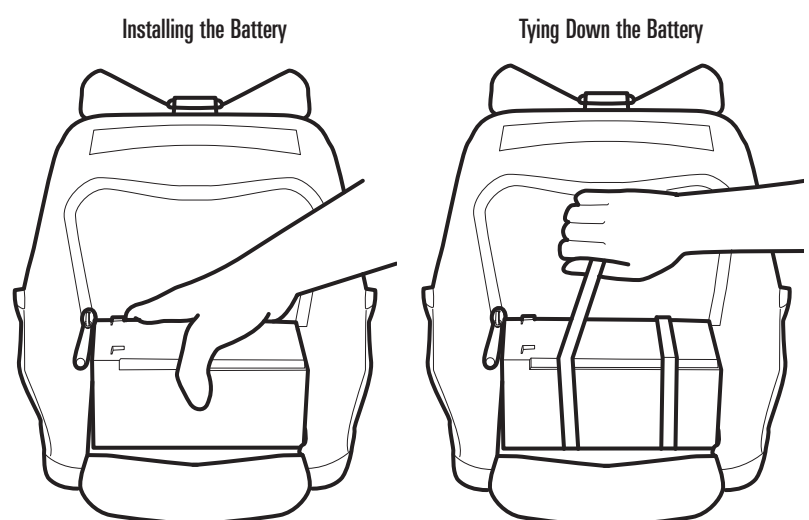
5. Charging and Installing the Battery

In this procedure you will charge and then install and secure the battery.

1. Charge the battery, using the included battery charger, until it is fully charged as indicated by the LED on the charger. Charging usually requires 8 continuous hours, but may vary depending on your configuration.

NOTE: Some international models may not include a battery or battery charger.

2. Open the bottom back zipper on the portable case, and install the battery in the battery well. While holding the tie-down straps out of the way, make sure the power cable is fitted snugly into the slot in the well so that the battery does not rest on it (see the illustration **Installing the Battery**).



3. Pull the two battery tie-down straps over the top of the battery and connect both ends of each strap over the top, making sure that the straps are pulled tight around the battery and that the battery is seated securely in the battery well.
4. Zip up the back opening.

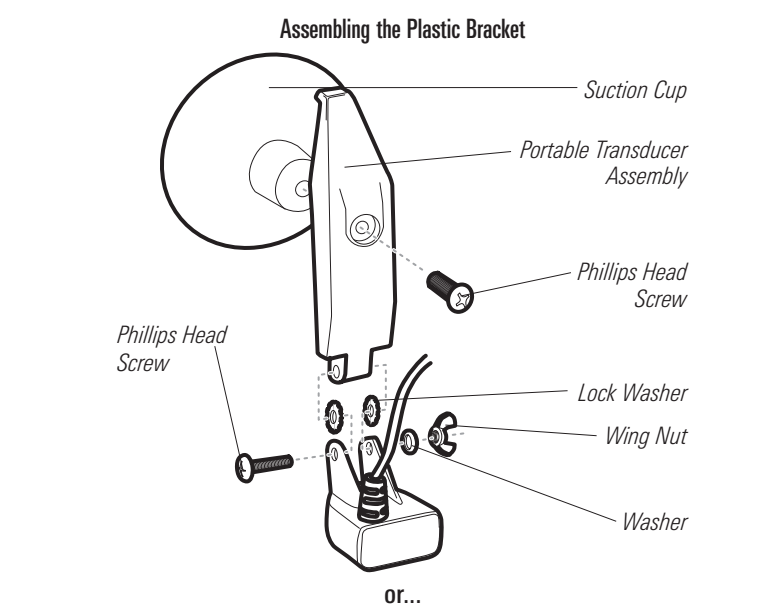
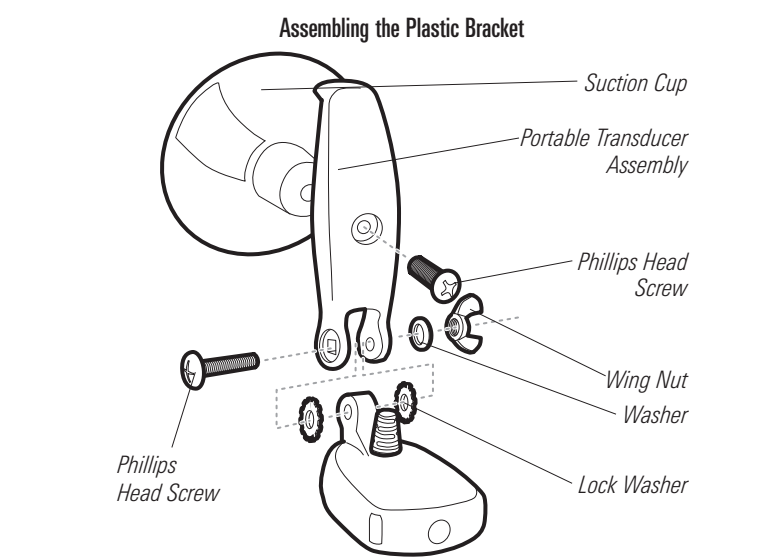
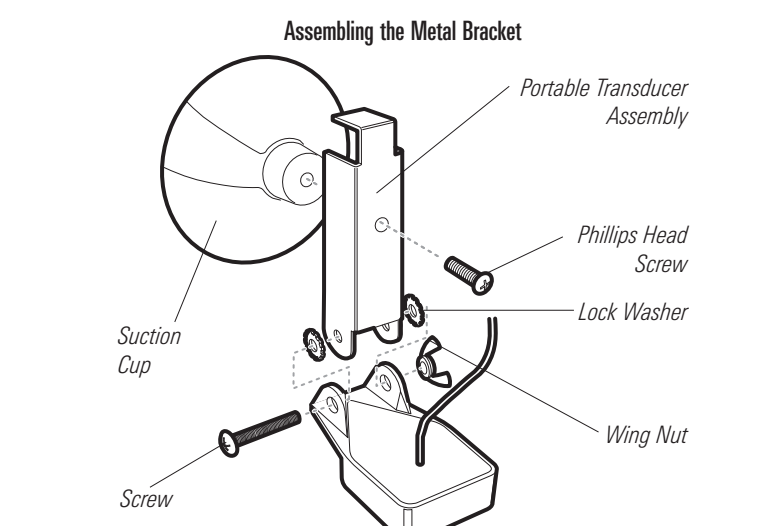
NOTE: Do NOT connect the power cable to the battery at this time. You should wait until just before fishing to connect the power cable to the battery.

6. Assembling the Transducer Mounting Bracket

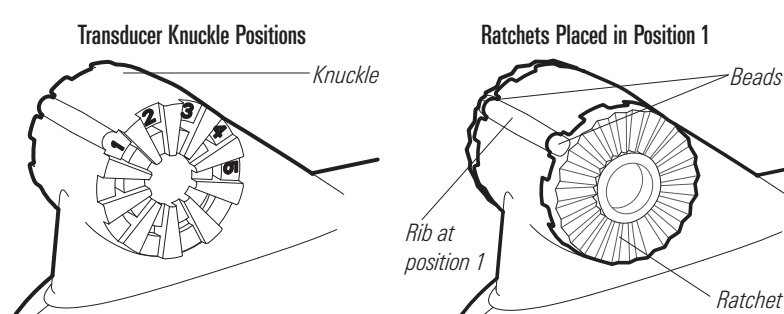
NOTE: Please be aware that the transducer design has changed. If you are replacing or adding mounting hardware to your current transducer, make sure that you have selected the appropriate hardware. If you are replacing a transducer, you will need to replace the mounting bracket and hardware as well. Contact our Customer Resource Center at either **1-800-633-1468** or visit our website at www.humminbird.com for more information.

In this procedure you will determine which mounting bracket you have and assemble your transducer.

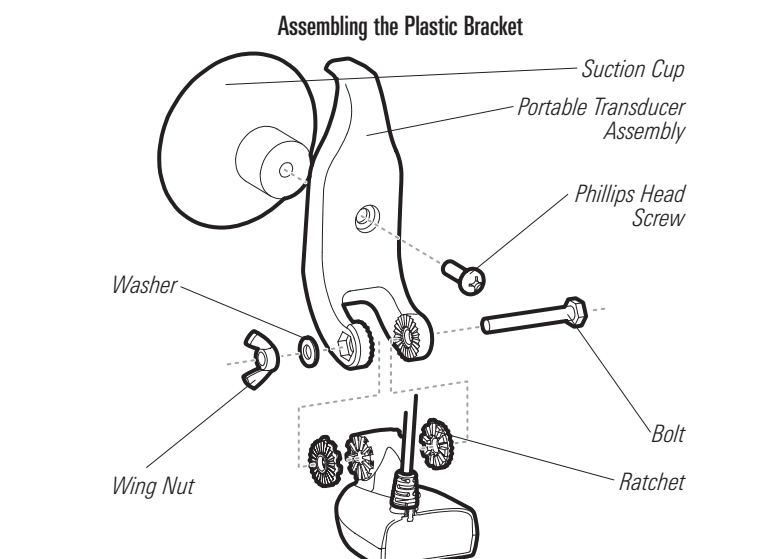
- 1a. If your transducer mounting bracket looks like one of the following illustrations, assemble it as shown. **Hand tighten only!** Then skip to procedure **7. Stowing the Portable Transducer and Battery Charger into the Portable Case**.



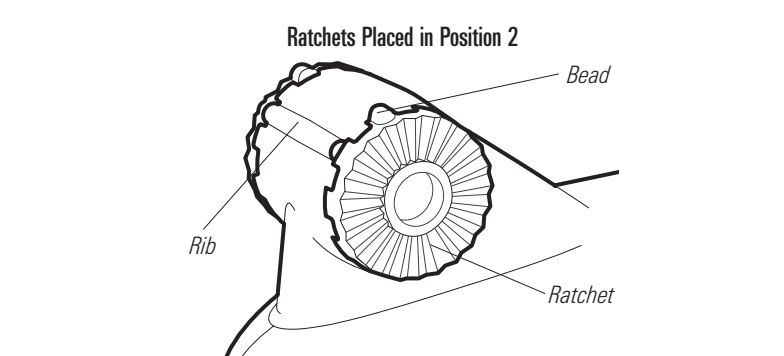
- 1b. If your transducer mounting bracket looks like the one below, line up the two ratchet pieces at position 1 so that the beads are aligned with the rib on the transducer. See illustrations.



2. Assemble the other transducer parts as shown (see the illustration **Assembling the Plastic Bracket** below). **Hand tighten only!**



NOTE: If you are unable to ratchet the transducer so that it rests below the water and points straight down, you can disassemble it and align the beads with a different number until you reach a position that allows the proper alignment.



7. Stowing the Portable Transducer and Battery Charger into the Portable Case

1. Load the portable transducer into the carrying compartment (upper zip opening on the back of the portable case) and close the zipper.
2. Turn the portable case around so that you can access the front, and load the battery charger into the zip pocket on the left as you face the front of the portable case.
3. Make sure all the zippers are closed.

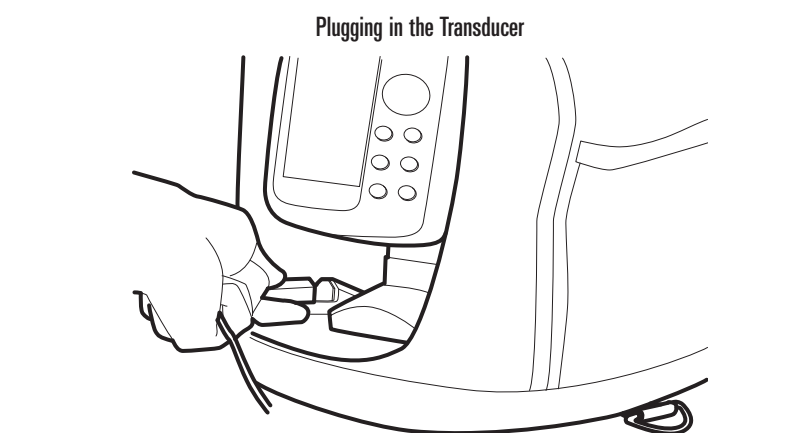
INSTALLING THE PORTABLE CASE ON THE BOAT

Since the portable case has a large non-skid mounting surface, it may be attached to almost any surface.

In this section, you will route the cables on the boat, connect the transducer and power cables to the portable case, and attach the portable case to a dry and convenient location on your boat.

1. Connecting the Transducer and Power Cables to the Portable Case

1. Make sure the large opening in the front of the portable case is unzipped; you may want to roll up the flap and secure it with the provided strap and clip while you're working.
2. Plug the transducer cable into the jumper port in the portable case to the left of the control head, as you face the front of the bag (see the illustration **Plugging in the Transducer**).



3. Turn the portable case around so that you can access the back, and open the back zipper. Connect the spade clip on the red wire of the power cable to the red terminal on the battery, and the spade clip on the black wire of the power cable to the black terminal on the battery, and make sure that the spade clips are snugly attached to the terminals (see the illustration **Connecting the Spade Clips**).

4. Make sure the back battery door and side pockets are zipped, but leave the front of the bag unzipped for easy access during installation.

2. Attaching the Portable Case to the Boat

1. Attach the portable case to a surface on the boat by threading rope or bungee cord (not provided) through the D-rings on either side of the portable case.

NOTE: Humminbird® recommends that you do NOT position the portable case on the bottom of the boat, or in a location where it can be splashed by or immersed in water, as the portable case is water resistant, but not waterproof.

MOUNTING THE PORTABLE TRANSDUCER

Once your Portable fishfinder is fully assembled (see the **Portable Case Assembly** section for more information), it takes just a few easy steps before you are ready to fish:

- Test the transducer prior to installation
- Mount the portable transducer on the boat

1. Testing the Transducer Prior to Installation

Prior to installation, test the transducer to make sure that no damage occurred during shipping.

1. Hold the transducer in the water over the side of the boat to confirm proper operation. If the transducer is working properly, you should be able to see the bottom on the control head display.

2. Mounting the Portable Transducer on the Boat

Perform the procedures in this section to install the transducer on your boat.

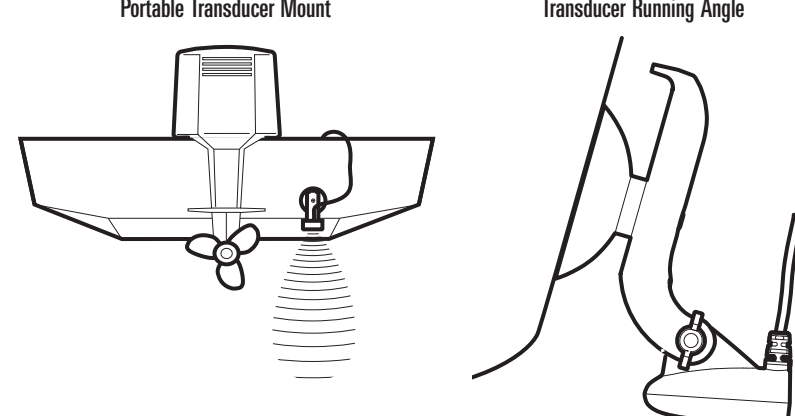
NOTE: The suction cup mount is designed for quick, easy installation and removal, NOT for high speed operation. If you intend to operate your boat at any speed faster than trolling speeds, remove the suction cup transducer from the water.

It is important that the mounting position allows the transducer to rest beneath the surface of the water, pointing straight down. You can mount the transducer anywhere on the side of the boat if your boat remains stationary. If you are trolling, it is best to mount the transducer on the transom of the boat.

Your portable transducer is designed to be installed and adjusted without the use of tools. Mounting the transducer to the boat is a simple, yet important operation. A poor mounting location will affect the overall performance of the Humminbird® unit, so follow the mounting instructions carefully. It is important that the mounting position allows the transducer to rest beneath the surface of the water, pointing straight down. You can mount the transducer anywhere on the side of the boat if your boat remains stationary.

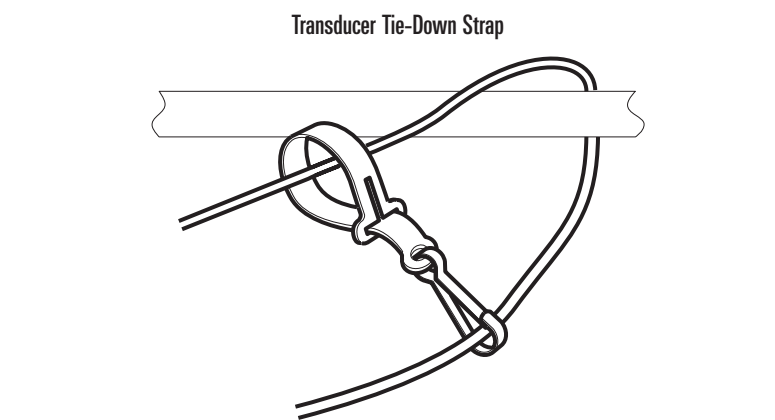
If you are trolling, it is best to mount the transducer on the transom of the boat.

1. Mount the transducer so that it points straight down, and so that the transducer itself is submerged in the water (see the illustration **Portable Transducer Mount**).



2. Adjust the running angle so that the transducer is parallel to and below the surface of the water (see the illustration **Transducer Running Angle**).
3. Hand-tighten the wing nut so that the transducer will not rotate.

4. Secure the transducer cable in case of accidental release when the boat is moving, since a loose transducer can cause damage to itself, your boat, or become tangled in the propeller. Attach the tie-down strap to the transducer cable around an immovable object such as a rail or fitting, as shown in the illustration (see the illustration **Transducer Tie-Down Strap**).



5. When you have finished using the transducer, unplug the transducer cable from the transducer jumper port on the base, then coil the cable around the assembly.

MOVING THE PORTABLE FISHFINDER

You should take the portable case with you when you leave the boat and will not be using it. Perform the following steps to make your unit mobile:

1. With the boat engine off, loosen all cable retainers/clips holding the transducer.
2. Remove the case from the surface mount.
3. Remove the transducer from the surface where it has been mounted, wipe it dry, and stow it in the portable case rear pocket.
4. Unplug the power cable when not in use.

MAINTENANCE

Your Humminbird® Portable fishfinder is designed to provide years of trouble-free operation with virtually no maintenance. Follow the simple procedures below to ensure that your Humminbird® Portable continues to deliver top performance.

If the Portable case comes into contact with salt spray, wipe the affected surfaces with a lint-free cloth, then apply a commercially available anti-corrosive treatment to all exposed electrical contacts.

If the portable case bag becomes dirty, clean the bag with mild soap, water, and a soft rag or brush and then hang it up to dry.

Never leave your Humminbird® Portable unit in a closed car or trunk - the extremely high temperatures generated in hot weather can damage the electronics. Repairs should be performed only by authorized Humminbird® technicians.

How to Remove Water from the Portable Case

Open the front zipper and pull the case down to allow water to exit the case. If needed, remove the case from the plastic base and air-dry it. Follow recommended maintenance procedures for salt spray exposure if needed.

SPECIFICATIONS

Portable Case 8.75" H x 10.25" W x 9.83" D
223 mm H x 261 mm W x 250 mm D

Power Requirement 12 Volt sealed lead acid battery;
up to 16 hours continuous operation

CONTACT HUMMINBIRD®

Contact the Humminbird® Customer Resource Center in any of the following ways:

By Telephone:
(Monday - Friday 8:00 a.m. to 4:30 p.m.
Central Standard Time):

1-800-633-1468

By e-mail:
(typically we respond to your e-mail
within three business days):

cservice@johnsonoutdoors.com

For direct shipping,
our address is:

Humminbird
Service Department
678 Humminbird Lane
Eufaula, AL 36027 USA

WARNING! This device should not be used as a navigational aid to prevent collision, grounding, boat damage, or personal injury. When the boat is moving, water depth may change too quickly to allow time for you to react. Always operate the boat at very slow speeds if you suspect shallow water or submerged objects.

WARNING! Disassembly and repair of this electronic unit should only be performed by authorized service personnel. Any modification of the serial number or attempt to repair the original equipment or accessories by unauthorized individuals will void the warranty.

WARNING! This product contains chemicals known to the State of California to cause cancer and/or reproductive harm.

WEEE Directive: EU Directive 2002/96/EC "Waste of Electrical and Electronic Equipment Directive (WEEE)" impacts most distributors, sellers, and manufacturers of consumer electronics in the European Union. The WEEE Directive requires the producer of consumer electronics to take responsibility for the management of waste from their products to achieve environmentally responsible disposal during the product life cycle.

WEEE compliance may not be required in your location for electrical & electronic equipment (EEE), nor may it be required for EEE designed and intended as fixed or temporary installation in transportation vehicles such as automobiles, aircraft, and boats. In some European Union member states, these vehicles are considered outside of the scope of the Directive, and EEE for those applications can be considered excluded from the WEEE Directive requirement.

This symbol (WEEE wheeler bin) on product indicates the product must not be disposed of with other household refuse. It must be disposed of and collected for recycling and recovery of waste EEE. Humminbird® will mark all EEE products in accordance with the WEEE Directive. It is our goal to comply in the collection, treatment, recovery, and environmentally sound disposal of these products; however, these requirements do vary within European Union member states. For more information about where you should dispose of your waste equipment for recycling and recovery and/or your European Union member state requirements, please contact your dealer or distributor from which your product was purchased.

GUIDE D'INSTALLATION DE L'UNITÉ PORTABLE

531571-1_C

Merci d'avoir choisi un détecteur de poissons Humminbird®, premier fabricant américain en électronique grand public de qualité, spécialisé en systèmes marins.

AVANT DE COMMENCER

Le système de pêche portable Piranha est offert en deux configurations différentes :

- la **tête de commande du détecteur portable** dans un boîtier portable et un câble d'alimentation, avec un transducteur avec câble à cavalier, un transducteur et un support de montage portable, une batterie, un chargeur de batterie et la quincaillerie de raccordement.

- une **trousse de conversion portable**, qui permet de convertir un détecteur de poissons peut-être déjà en votre possession en une unité portable. Elle comprend un boîtier portable pour la tête de commande, un câble d'alimentation, un transducteur avec câble à cavalier, un support de montage portable, une batterie, un chargeur de batterie et la quincaillerie de raccordement.

***REMARQUE** : Il est possible que la batterie et le chargeur ne soient pas inclus dans certains modèles internationaux*

Il pourrait y avoir quelques différences mineures entre la quincaillerie décrite dans ce manuel et la quincaillerie réellement fournie, car elle dépend de la configuration du produit acheté.



TROUSSE DE CONVERSION EN UNITÉ PORTABLE

Si vous disposez d'une trousse de conversion en unité portable, vous devez tout d'abord désinstaller la tête de commande et le transducteur de leurs emplacements fixes respectifs sur le bateau avant de suivre les directives d'installation standard pour l'appareil portable, décrites dans cette notice. Lorsque vous aurez converti la tête de commande et le transducteur en leurs configurations portables, vous serez prêt à monter le boîtier portable.

1. Conversion de la tête de commande en unité portable

- Débranchez la tête de commande en utilisant le système de montage à débranchement rapide sur le bateau.

- Passez à la section ***Montage du boîtier portable*** et suivez les directives indiquées à la ***Section 5. Charge et installation de la batterie***, puis revenez à la section ***Conversion du transducteur en unité portable***.

2. Conversion du transducteur en unité portable

- Vérifiez que la tête de commande est bien détachée du système de montage à débranchement rapide.

- Sortez le câble de transducteur du système de montage à débranchement rapide.

- Dévissez le transducteur de son support fixé au bateau, en prenant soin de conserver les vis d'origine pour toute configuration de montage fixe future éventuelle (de nouvelles vis de montage sont fournies dans la trousse de conversion en unité portable).

- Allez à la section ***Assemblage du support de montage du transducteur*** et suivez les directives restantes.

MONTAGE DU BOÎTIER PORTABLE

Vous devriez effectuer les tâches de montage du boîtier portable dans la séquence indiquée, c'est-à-dire en suivant systématiquement les procédures de montage principales suivantes :

- Assemblage du système de montage à débranchement rapide
- Acheminement des câbles dans la base
- Assemblage du boîtier portable
- Fixation de la tête de commande au boîtier portable
- Charge et installation de la batterie
- Assemblage du support de montage du transducteur
- Mise en place du transducteur portable et du chargeur de batterie dans le boîtier portable.









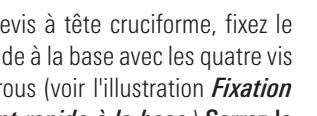
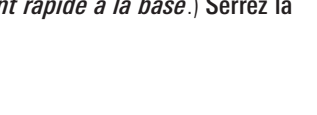
Une fois terminé, la tête de commande et le transducteur sont intégrés au boîtier portable et vous êtes prêt à prendre votre boîtier portable avec vous sur le bateau pour un ajustement final.

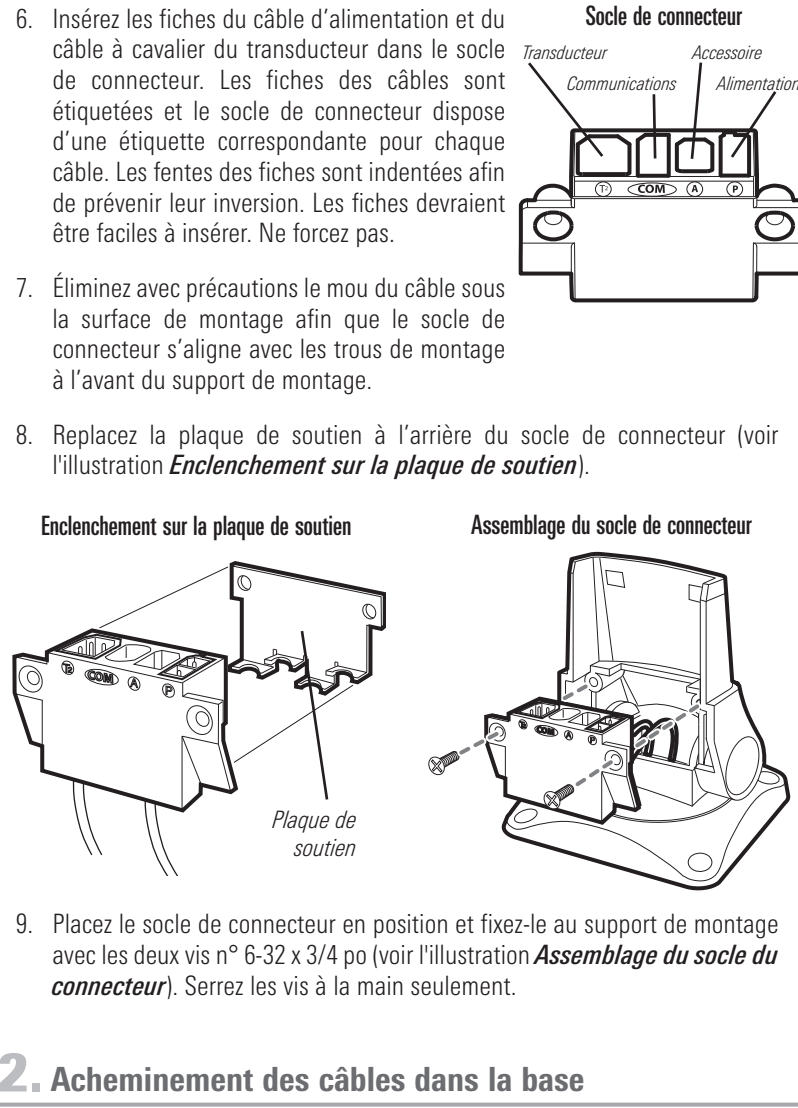
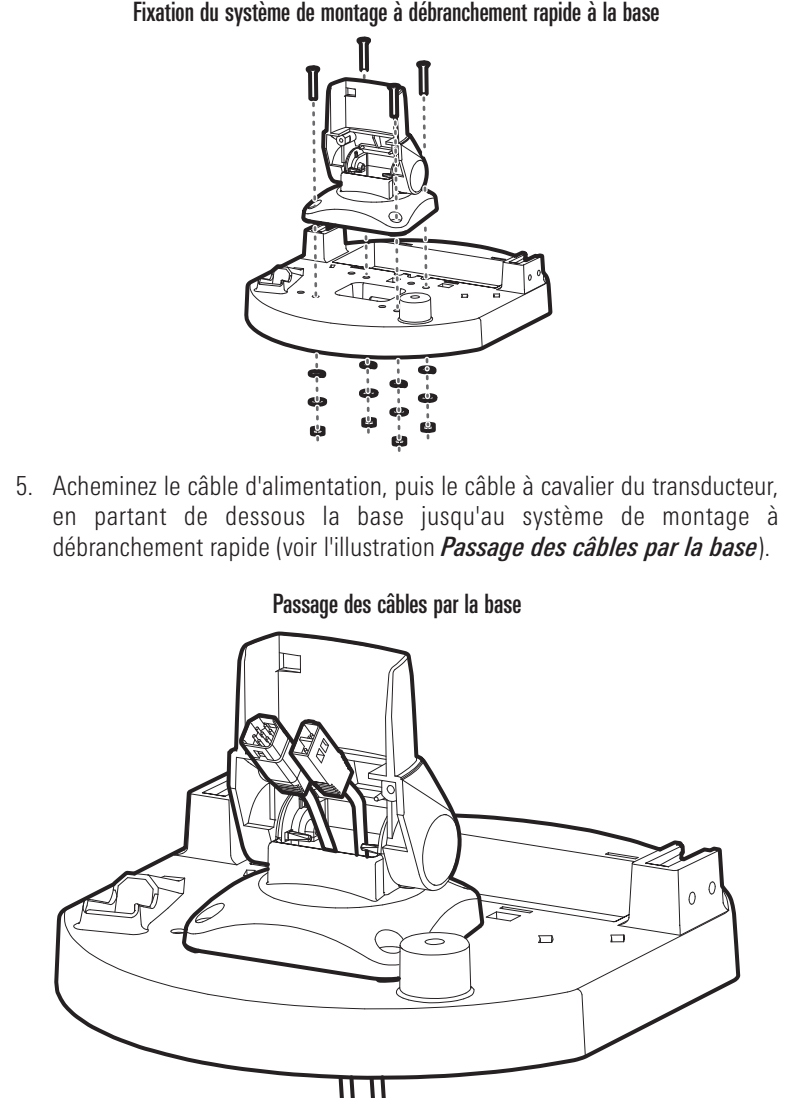
***REMARQUE** : Si vous êtes en train de convertir une installation fixe en une installation portable à l'aide de la Trousse de conversion en unité portable, passez d'abord à la section Trousse de conversion en unité portable.*

1. Assemblage du système de montage à débranchement rapide

Suivez cette procédure pour installer le système de montage à débranchement rapide sur la base du boîtier portable, puis pour installer le réceptacle des câbles sur le système de montage à débranchement rapide.

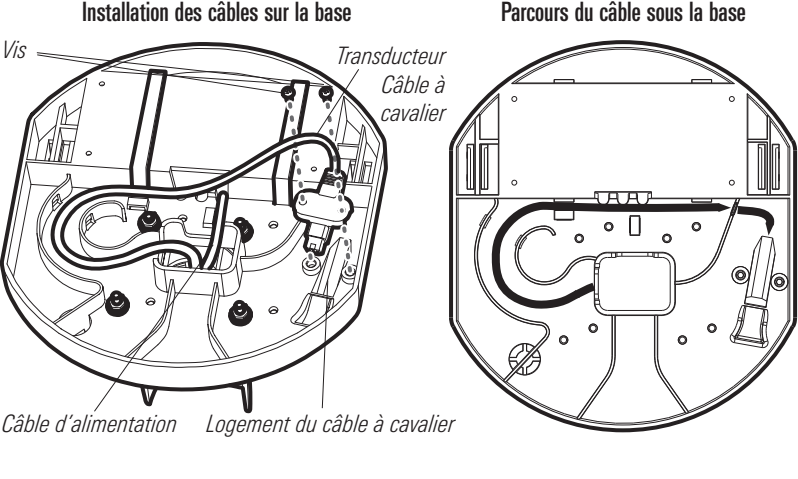
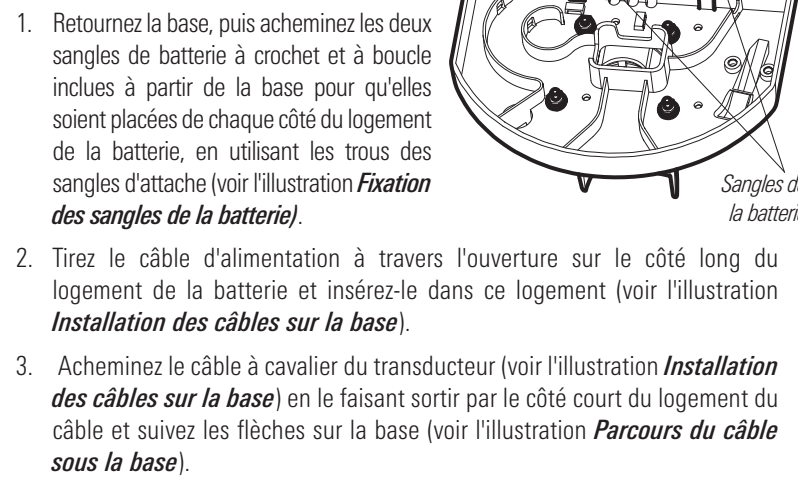
- Déterminez l'ensemble de trous pour système de montage à débranchement rapide à utiliser en consultant le tableau suivant.

Série 300	Ensemble de trous A	
Série 500	Ensemble de trous B Matrix.	
Série 700	Ensemble de trous B	
Série PiranhaMAX	Ensemble de trous C	
2. Retournez la base et utilisez un tournevis ou un foret avec un marteau pour perforer les trous de montage conformément à l'illustration <i>Perforation des trous</i> .		
3. Alignez le système de montage à débranchement rapide sur la base de l'unité portable, en utilisant les trous perforés sur la base à l'étape 2. Assurez-vous que le système de montage à débranchement rapide est complètement relevé (rochet ouvert), avec le logo Humminbird® faisant face au logement de la batterie sur la base.		
4. En utilisant une clé à douilles et un tournevis à tête cruciforme, fixez le système de montage à débranchement rapide à la base avec les quatre vis 10, les rondelles de verrouillage et les écrous (voir l'illustration <i>Fixation du système de montage à débranchement rapide à la base</i>). Serrez la vis à la main seulement!		

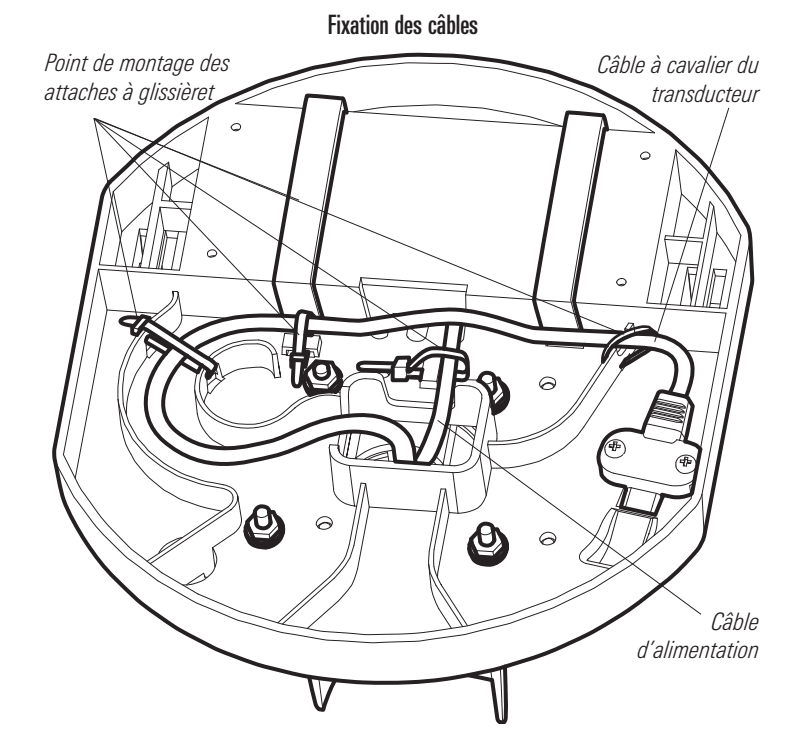


2. Acheminement des câbles dans la base

Suivez cette procédure pour acheminer le câble d'alimentation et le câble à cavalier du transducteur sur le dessous de la base, et attacher les sangles qui seront utilisées plus tard pour fixer la batterie à la base.



- Ajustez le connecteur du câble à cavalier du transducteur vers le bas dans le logement du câble à cavalier et enclenchez-le en place. Insérez les deux vis n° 6-32 x 1/4 po incluses pour fixer le connecteur à cavalier du transducteur et serrez en utilisant un tournevis à tête cruciforme. **Serrez la vis à la main seulement!**



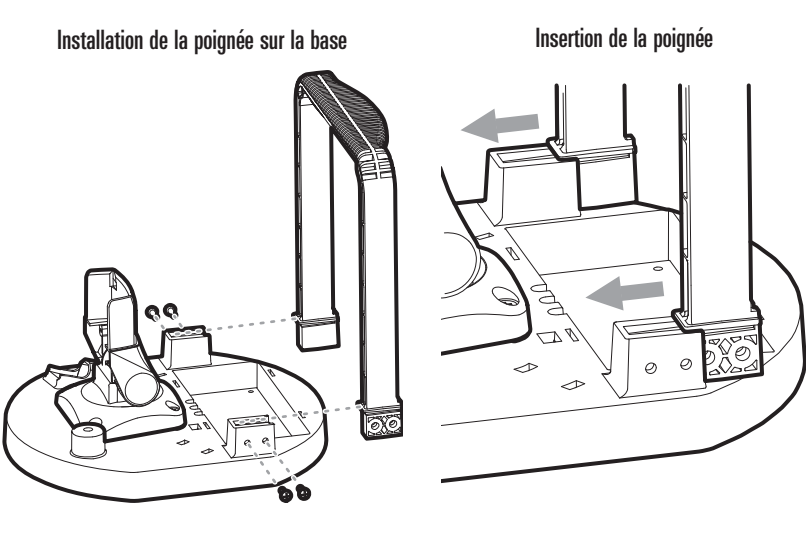
- Retournez la base à l'endroit et tirez sans forcer sur les sangles de la batterie pour éliminer le mou.

***REMARQUE** : Vous devez procéder à d'autres assemblages et charger la batterie pendant 8 heures avant d'installer la batterie dans le boîtier portable. Voir la section 5. Charge et installation de la batterie pour plus d'informations.*

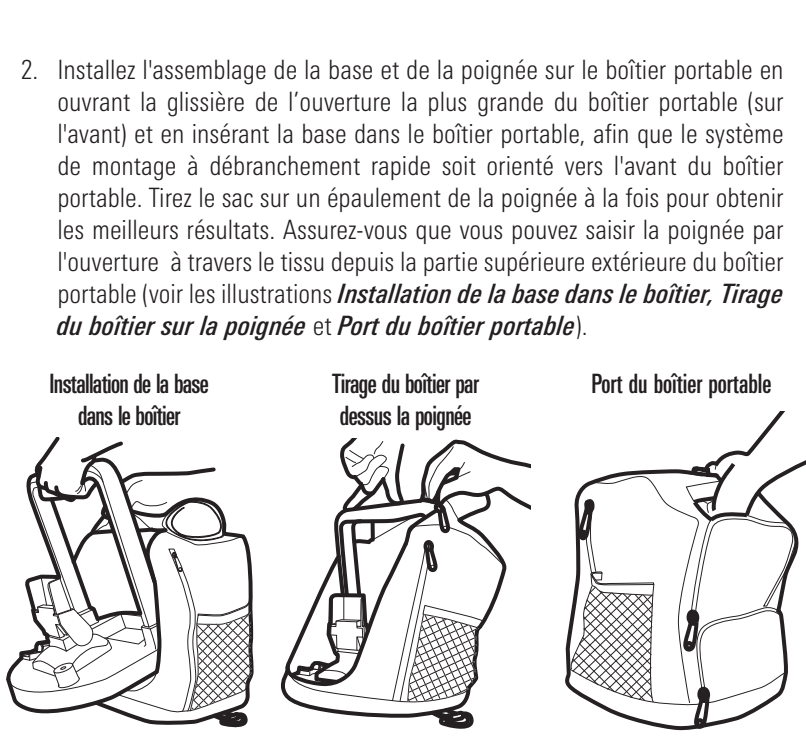
3. Assemblage du boîtier portable

Suivez cette procédure pour installer la poignée sur la base et pour installer la base dans le boîtier portable.

- Installez la poignée sur la base, afin que la pièce recourbée située sur la poignée fasse face à l'arrière de la base, en direction du logement de la batterie. Utilisez les quatre vis n° 8-32 x 7/16 po de chaque côté pour fixer la poignée à la base (voir les illustrations ***Installation de la poignée sur la base*** et ***Glissement dans la poignée***). **Serrez la vis à la main seulement!**



***REMARQUE** : La poignée est indentée et ne s'installe sur la base que d'une seule façon.*

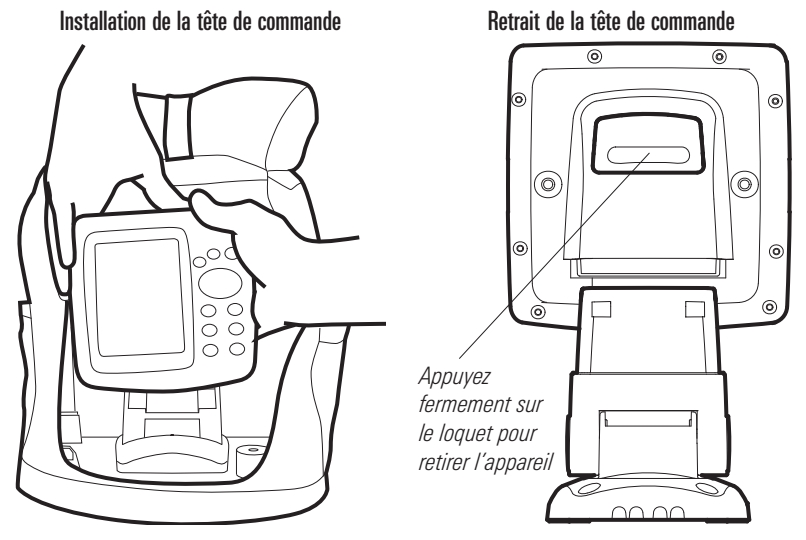


4. Fixation de la tête de commande au boîtier portable

Suivez cette procédure pour installer la tête de commande dans le boîtier portable, en utilisant le système de montage à débranchement rapide.

- Vérifiez que l'ouverture avant (la plus grande) à l'avant du boîtier portable est bien ouverte. Si vous le désirez, vous pouvez rouler le pan de tissu et le fixer avec la sangle et l'agrafe fournies pendant que vous travaillez.

- Faites glisser la tête de commande dans le système de montage à débranchement rapide jusqu'à ce qu'il soit complètement en place (voir l'illustration ***Installation de la tête de commande***).



REMARQUE** : Pour retirer la tête de commande, tenez-la à deux mains, appuyez fermement sur le loquet situé à l'arrière de la tête de commande, puis soulevez-la. Le verrou robuste situé sur le système de montage à débranchement rapide a été conçu pour résister à un usage marin et il faut donc appliquer une force importante pour le déverrouiller (voir l'illustration ***Retrait de la tête de commande).*

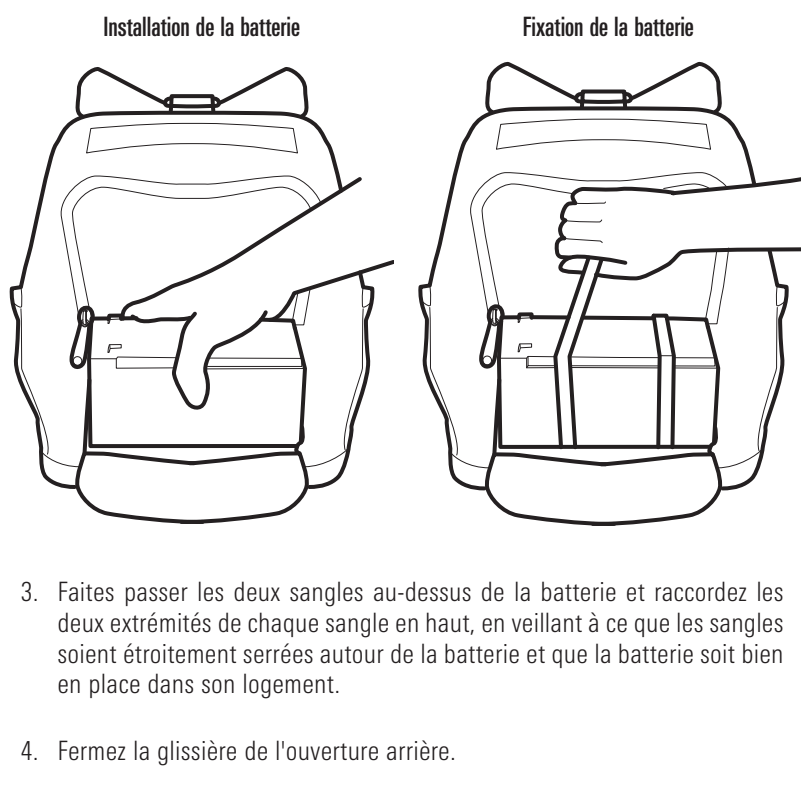
5. Charge et installation de la batterie

Pour charger, installer et fixer la batterie, suivez cette procédure..

- Chargez la batterie en utilisant le chargeur de batterie inclus, jusqu'à ce qu'elle soit complètement chargée comme l'indique l'affichage sur le chargeur. En général, la charge de la batterie prend 8 heures continues mais cela peut varier avec votre configuration.

***REMARQUE** : Il est possible que la batterie et le chargeur ne soient pas inclus dans certains modèles internationaux.*

- Ouvrez la glissière située à l'arrière et en bas sur le boîtier portable et installez la batterie dans son logement. Tout en tenant les sangles afin qu'elles n'entravent pas, assurez-vous que le câble d'alimentation est bien en place dans son logement afin que la batterie ne repose pas dessus (voir l'illustration ***Installation de la batterie***).



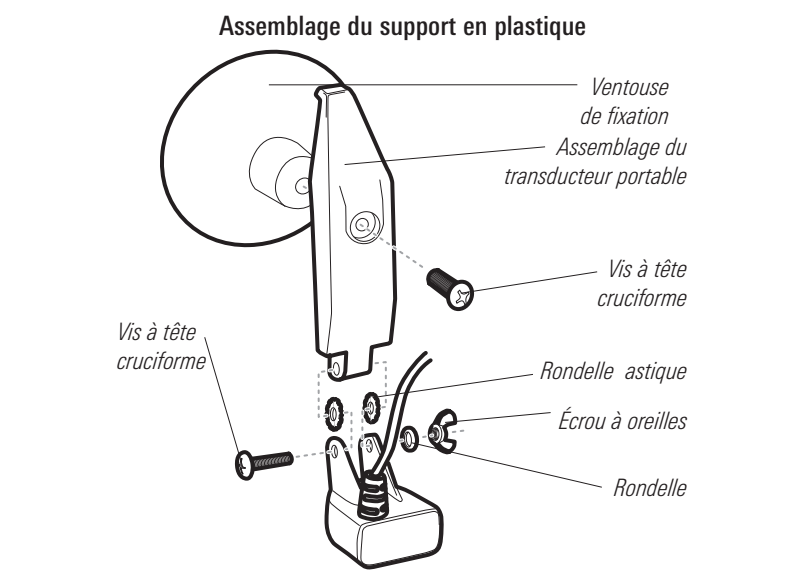
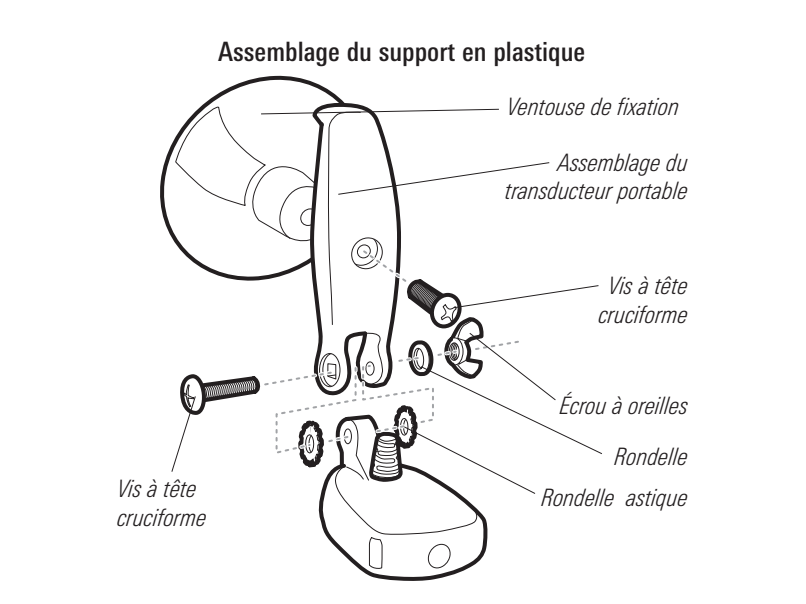
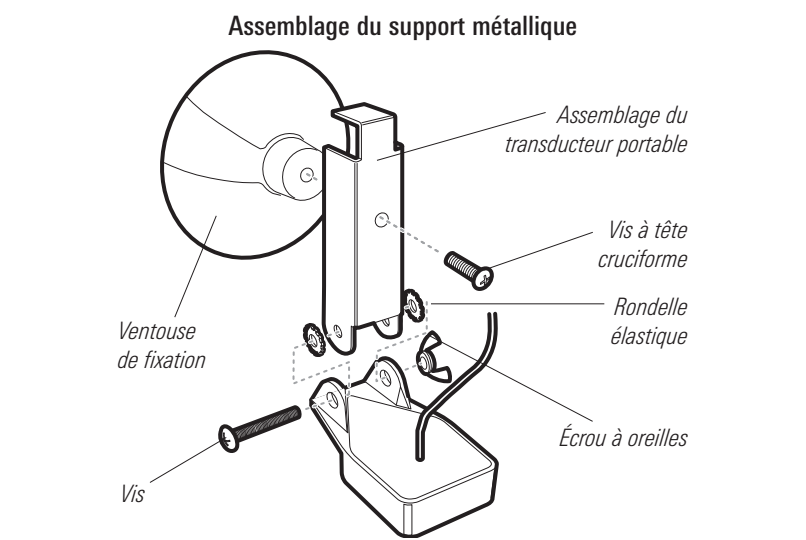
***REMARQUE** : Ne branchez PAS le câble d'alimentation à la batterie à ce stade. Vous devez attendre jusqu'au moment de la pêche pour brancher le câble d'alimentation à la batterie.*

6. Assemblage du support de montage du transducteur

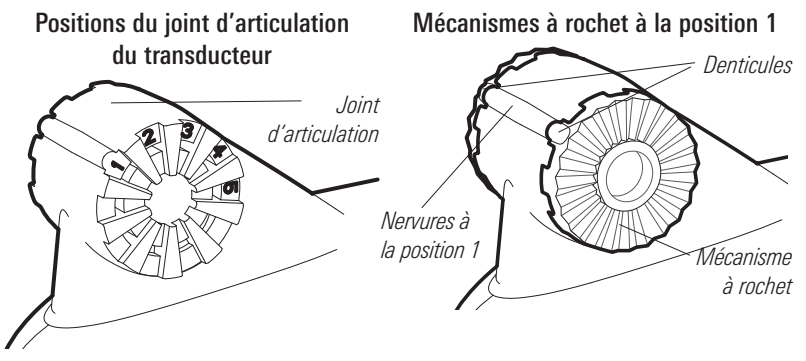
***REMARQUE** : Veuillez noter que la conception du transducteur a été modifiée. Si vous remplacez ou ajoutez un système de montage à votre transducteur actuel, vérifiez que vous avez choisi le matériel approprié. Si vous remplacez un transducteur, vous devez également remplacer le support et le système de montage. Vous pouvez joindre notre Centre de ressources pour la clientèle au **1-800-633-1468** ou visiter notre site Web au **www.humminbird.com** pour obtenir d'autres informations.*

Pour déterminer le support de montage dont vous disposez et assembler votre transducteur.

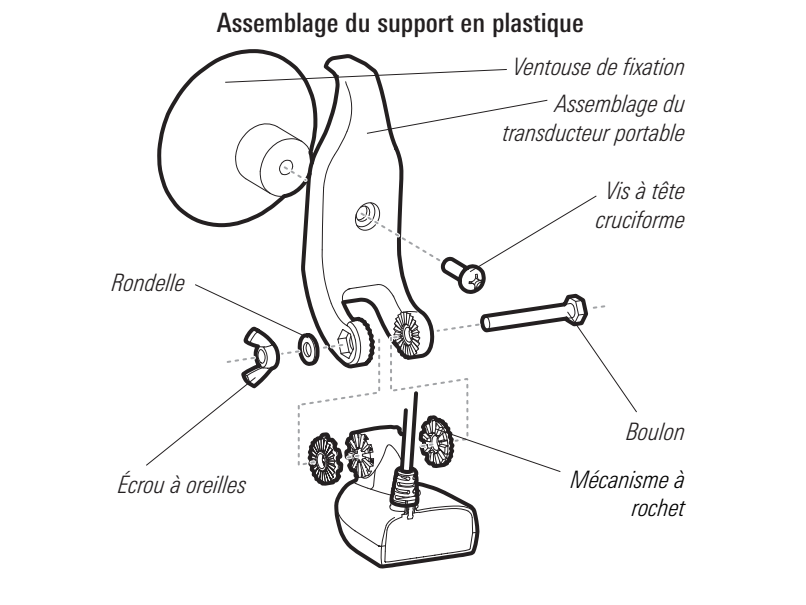
- 1a. Si le support de montage du transducteur ressemble à l'une de ces illustrations, montez-le comme indiqué. **Serrez la vis à la main seulement!** Puis allez directement à la section ***Montage du transducteur***.



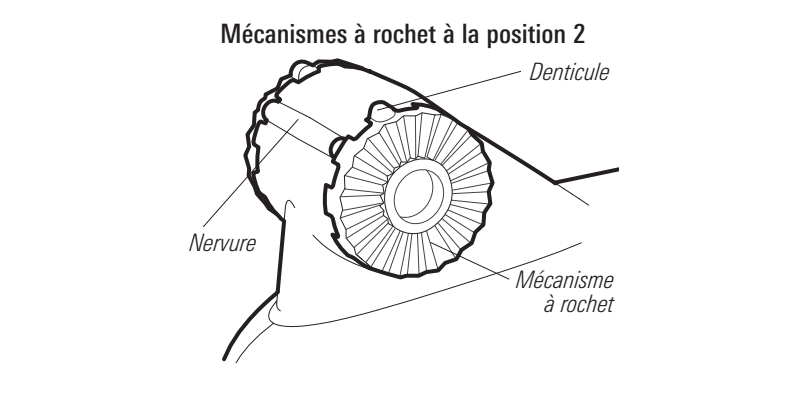
- ou...
- 1b. Si le support de montage du transducteur est similaire à celui montré ci-dessous, alignez les deux pièces à rochet à la position 1 afin que les dentelures de chaque mécanisme à rochet s'alignent avec la nervure sur le transducteur. Voir les figures 10 et 11.



2. Assemblez les autres pièces du transducteur comme indiqué (voir l'illustration ***Assemblage du support en plastique***) **Serrez la vis à la main seulement!**



***REMARQUE** : Si vous ne pouvez encliqueter le transducteur afin qu'il repose au-dessous de la surface de l'eau et pointe vers le fond, vous pouvez le démonter et aligner les dentelures sur un numéro différent jusqu'à ce que vous atteigniez une position qui permette un alignement correct.*



7. Mise en place du transducteur portable et du chargeur de batterie dans le boîtier portable

- Installez le transducteur portable dans le compartiment de transport (ouverture à glissière supérieure à l'arrière du boîtier portable) et fermez la glissière.
- Retournez le boîtier portable afin que vous puissiez accéder à l'avant et installer le chargeur de batterie dans la poche à glissière située à gauche lorsque vous faites face au boîtier portable.
- Assurez-vous que les glissières sont bien fermées.

INSTALLATION DU BOÎTIER PORTABLE SUR LE BATEAU

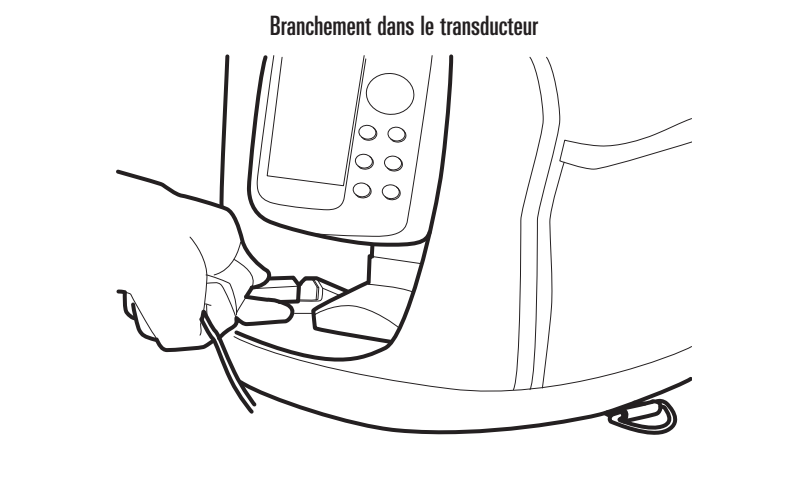
Comme le boîtier portable est muni d'une grande surface de montage antidérapante, il peut être fixé sur pratiquement toutes les surfaces.

Dans cette section, vous acheminerez les câbles sur le bateau, raccorderez le câble du transducteur et le câble d'alimentation au boîtier portable et fixerez le boîtier portable à un endroit sec et pratique sur le bateau.

1. Raccordement des câbles du transducteur et d'alimentation au boîtier portable

- Vérifiez que la grande ouverture située à l'avant du boîtier portable est bien ouverte. Si vous le désirez, vous pouvez rouler le pan de tissu et le fixer avec la sangle et l'agrafe fournies pendant que vous travaillez.

2. Branchez le câble du transducteur dans le port de cavalier dans le boîtier portable sur la gauche de la tête de commande, lorsque vous êtes placé en face du sac (voir l'illustration ***Branchement dans le transducteur***).



3. Retournez le boîtier portable afin de pouvoir avoir accès à l'arrière et ouvrez la glissière située à l'arrière. Raccordez la pince à fourche sur le cordon rouge du câble d'alimentation à la borne rouge de la batterie et la pince à fourche sur le cordon noir du câble d'alimentation à la borne noire de la batterie. Assurez-vous que les pinces à fourche sont bien fixées aux bornes (voir l'illustration ***Raccordement des pinces à fourche***).
4. Assurez-vous que le volet arrière du logement de la batterie et les poches latérales sont fermées mais laissez l'avant de la poche ouverte pour permettre un accès aisé au cours de l'installation.

2. Fixation du boîtier portable au bateau

- Fixez le boîtier portable sur une surface du bateau en enfilant une corde ou un sandow (non fourni) à travers les anneaux en D de chaque côté du boîtier portable.

***REMARQUE** : Humminbird® recommande de NE PAS placer le boîtier portable sur le fond du bateau ou à un emplacement où il risque d'être éclaboussé ou immergé dans l'eau car le boîtier portable est résistant à l'eau sans pour cela être étanche.*

MONTAGE DU TRANSDUCTEUR PORTABLE

Une fois votre détecteur de poissons portable complètement monté (voir la section ***Montage du boîtier portable*** pour plus d'informations), il ne reste que quelques étapes faciles avant qu'il soit prêt pour la pêche :

- Essayer le transducteur avant l'installation
- Monter le transducteur portable sur le bateau.

1. Essai du transducteur avant l'installation

Avant l'installation, essayez le ractuodeur pour vous assurer qu'il n'a subi aucun dégât au cours de l'expédition.

- Maintenez le transducteur dans l'eau sur le côté du bateau pour vous assurer de son bon fonctionnement. Si le transducteur fonctionne correctement, vous pouvez voir le fond sur l'affichage de la tête de commande.

2. Montage du transducteur portable sur le bateau

Pour installer le transducteur sur votre bateau, suivez les procédures indiquées.

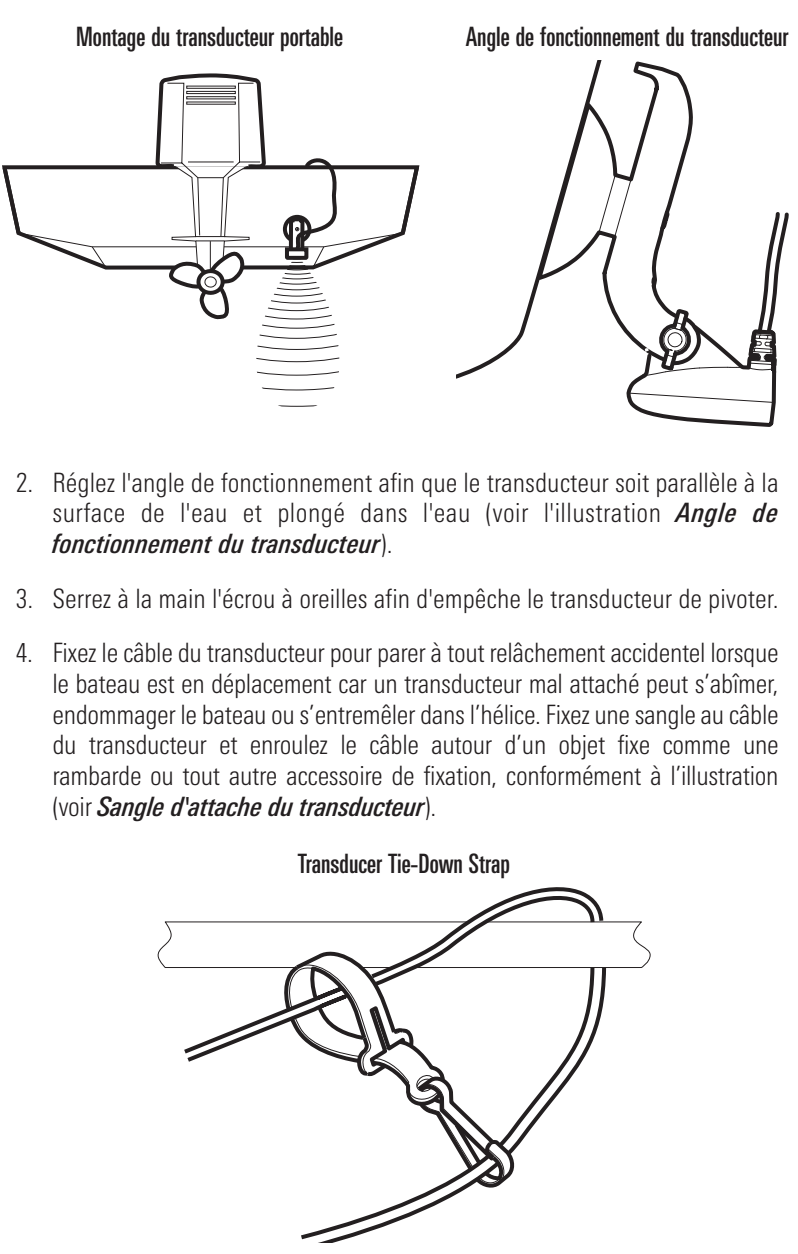
***REMARQUE** : La fixation par ventouse a été conçue pour permettre l'installation et la désinstallation simples et rapides du transducteur, et NON pour son utilisation à haute vitesse. Si vous avez l'intention de naviguer à des vitesses supérieures à celle requise pour la pêche à la traîne, retirez le transducteur à ventouse de l'eau.*

Il est important que le transducteur soit monté sous la surface de l'eau et pointe directement vers le fond. Vous pouvez monter le transducteur n'importe où sur le côté du bateau si le bateau reste stationnaire. Si vous pêchez à la traîne, il vaut mieux monter le transducteur sur le tableau arrière du bateau.

Le transducteur portable est conçu pour être installé et ajusté sans avoir recours à des outils. Le montage du transducteur sur le bateau est simple tout en étant important. Un emplacement de montage mal choisi affecte les performances globales de l'unité Humminbird®. Respectez par conséquent les instructions de montage. Il est important que le transducteur soit monté sous la surface de l'eau et pointe directement vers le fond. Vous pouvez monter le transducteur n'importe où sur le côté du bateau si le bateau reste stationnaire.

Si vous pêchez à la traîne, il vaut mieux monter le transducteur sur le tableau arrière du bateau.

- Montez le transducteur afin qu'il pointe directement vers le fond et que le transducteur soit lui-même plongé dans l'eau (voir l'illustration ***Montage du transducteur portable***).



- Lorsque vous avez terminé d'utiliser le transducteur, débranchez le câble du transducteur de ce dernier sur la base et enroulez le câble autour de l'assemblage.

DÉPLACEMENT DU DÉTECTEUR À POISSONS PORTABLE

Vous devriez emmener le boîtier portable avec vous lorsque vous quittez le bateau et que vous ne l'utilisez plus pendant un certain temps. Effectuez les étapes suivantes pour rendre votre unité mobile :

- Avec le moteur du bateau à l'arrêt, desserrez tous les serre-câbles et attaches retenant le transducteur.
- Retirez le boîtier du socle de montage.
- Retirez le transducteur de la surface où il était monté, séchez-le et placez-le dans la poche arrière du boîtier portable.
- Débranchez le câble d'alimentation lorsque l'appareil ne sert pas.

ENTRETIEN

Votre détecteur de poissons portable Humminbird® a été conçu pour fonctionner correctement pendant des années sans pratiquement aucun entretien. Suivez les procédures simples énumérées ci-dessous pour assurer un bon fonctionnement continu de votre appareil Humminbird® portable.

Si le boîtier portatif a été exposé à des embruns salés, essuyez les surfaces touchées avec un linge sans peluche, puis appliquez un traitement anticorrosif du commerce à tous les contacts électriques exposés.

Si le sac du boîtier portable devient sale, nettoyez-le avec de l'eau, du savon doux et un chiffon ou une brosse douce, puis pendez-le pour le faire sécher.

Ne laissez jamais votre appareil Humminbird® portable dans une voiture, ou le coffre d'une voiture fermée, car les températures extrêmes des journées chaudes risquent d'endommager les composants électroniques. Toute réparation doit être effectuée exclusivement par un technicien Humminbird agréé.

Comment faire sortir l'eau du boîtier portable

Ouvrez la glissière avant et retirez le boîtier vers le bas pour permettre à l'eau de sortir du boîtier. Au besoin, retirez le boîtier de sa base en plastique et faites-le sécher à l'air. Au besoin, suivez les procédures d'entretien recommandées en cas d'exposition aux embruns salés.

CARACTÉRISTIQUES

Mallette de transport 8.75" H x 10.25" W x 9.83" D
223 mm H x 261 mm W x 250 mm D

Power Requirement Batterie acide-plomb scellée de 12 volts, pour jusqu'à 6 heures de fonctionnement continu

POUR COMMUNIQUER AVEC HUMMINBIRD®

Voici par quels moyens vous pouvez communiquer avec le Centre de ressources pour la clientèle Humminbird® :

<p>Par téléphone, du lundi au vendredi, de 8 h à 16 h 30 (heure normale du Centre) :</p>	<p>1-800-633-1468</p>
<p>Par courrier électronique (nous répondons normalement aux courriels en moins de trois jours ouvrables) :</p>	<p>cservice@johnsonoutdoors.com</p>
<p>Adresse d'expédition directe :</p>	<p>Humminbird Service Department 678 Humminbird Lane Eufula, AL 36027 USA</p>

***AVERTISSEMENT!** Cet appareil ne devrait en aucun cas être utilisé comme instrument de navigation afin de prévenir les collisions, l'échouage, les dommages au bateau ou les blessures aux passagers. Lorsque le bateau est en mouvement, la profondeur de l'eau peut varier trop rapidement pour vous laisser le temps de réagir. Avancez toujours très lentement si vous soupçonnez la présence de haut-fond ou d'obstacles submergés.*

***AVERTISSEMENT** : La réparation et le démontage de cet appareil électronique doivent être effectués uniquement par un personnel d'entretien autorisé. Toute modification du numéro de série ou réparation par un personnel non autorisé entraînera l'annulation de la garantie.*

***AVERTISSEMENT** : Ce produit contient des produits chimiques reconnus par l'état de la Californie comme pouvant causer le cancer et/ou d'autres toxicités reproductives.*

***DIRECTIVE DEEE** : La directive EU 2002/96/CE sur les « déchets d'équipements électriques et électroniques (DEEE) » concerne la plupart des distributeurs, vendeurs et fabricants d'équipements électroniques grand public dans l'Union européenne. La directive DEEE requiert que le producteur d'équipements électroniques grand public prenne en charge la gestion des déchets de leurs produits et mette en œuvre leur élimination en respectant l'environnement, pendant le cycle de vie du produit.*

Il est possible que la conformité à la directive DEEE ne soit pas requise sur le site pour les équipements électriques et électroniques (EEE), ou pour les équipements EEE conçus et destinés à des installations temporaires ou fixes sur les véhicules de transport tels que les automobiles, les aéronefs ou les bateaux. Dans certains pays membres de l'Union européenne, ces véhicules n'entrent pas dans le domaine d'application de la directive, et les EEE pour ces applications peuvent être considérés exclus de la conformité à la directive WEEE.

 Ce symbole (poubelle DEEE) figurant sur le produit indique qu'il ne doit pas être mis au rebut avec les autres déchets ménagers. Il doit être éliminé et recueilli pour le recyclage et la récupération des équipements EEE à mettre au rebut. Humminbird®  marque tous les produits EEE conformément à la directive DEEE. Notre but est de respecter les directives sur la collecte, le traitement, la récupération et la mise au rebut de ces produits en respectant l'environnement ; ces exigences valent toutefois d'un état membre à l'autre de l'Union européenne. Pour obtenir d'autres renseignements sur les sites d'élimination des déchets d'équipements en use de leur recyclage et de leur récupération et/ou sur les exigences des états membres de l'Union européenne, renseignez-vous auprès du distributeur ou du lieu d'achat de votre produit.